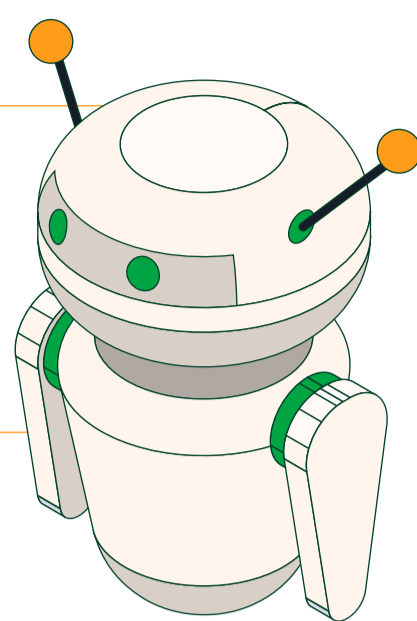


# The main practical applications of artificial intelligence

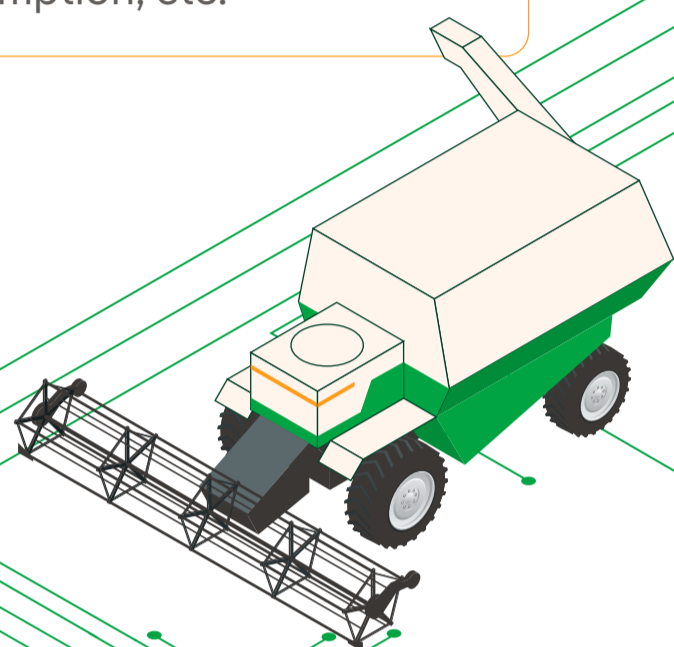
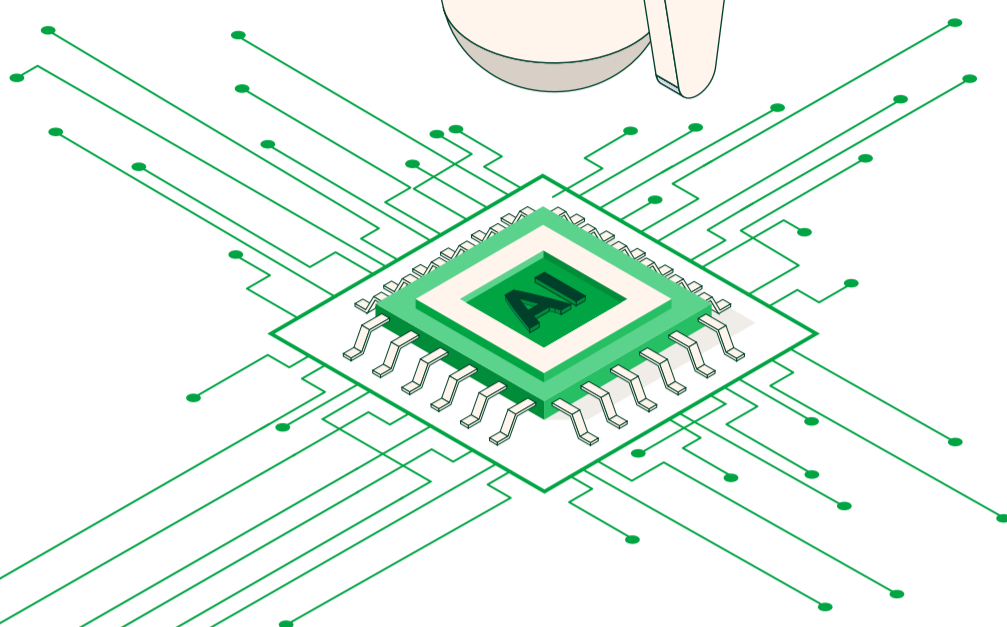
## Virtual personal assistants

We will live with interactive chatbots who can suggest products, restaurants, hotels, services and shows according to our search history.



## Climate

Fleets of drones capable of planting one billion trees per year to combat deforestation, unmanned submarine vehicles to detect leaks in oil pipelines, smart buildings designed to reduce energy consumption, etc.



## Agriculture

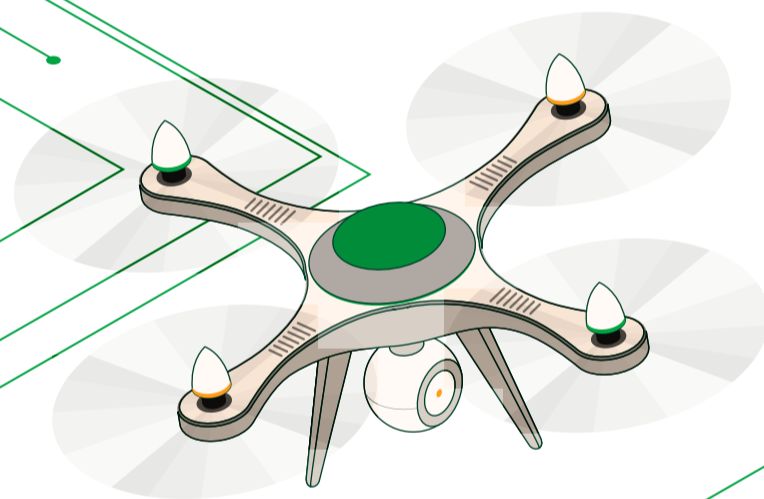
Specific platforms that use predictive analysis to improve agricultural yields and warn of any adverse impact to the environment.

## Finance

Smart technologies can help banks detect fraud, predict market patterns and advise customers on transactions.

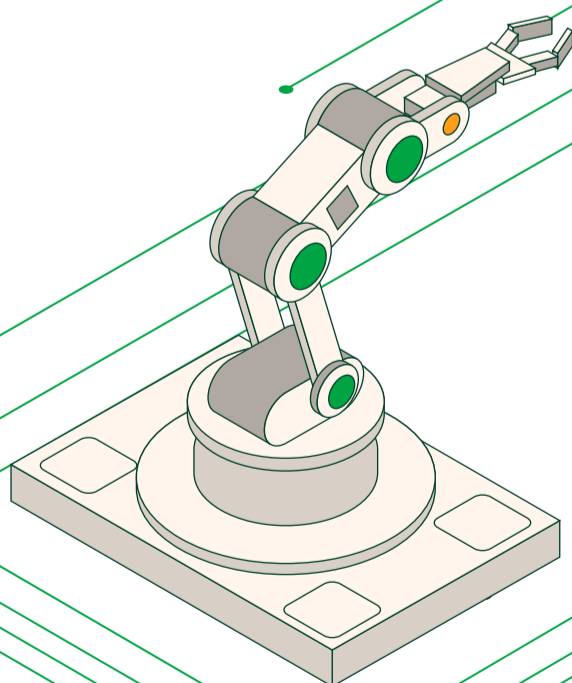
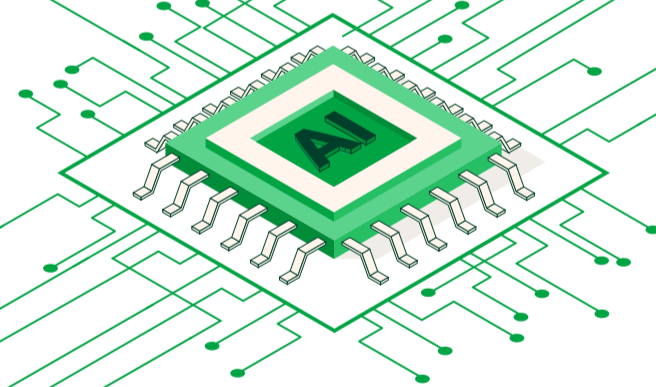
## Education

It will let you know if a student is about to cancel their registration, suggest new courses and create personalised offerings to optimise learning.



## Commercial

AI will make it possible to create sales forecasts and choose the right product to recommend to the client. Companies like Amazon use robots to identify whether or not a book will be successful, even before its launch.



## Logistics and transportation

It will be useful for avoiding collisions or traffic jams, as well as for optimising traffic flow. Tesla has developed a system in which, when one of its cars uses a route for the first time, it shares the information with the rest.

## Health

Chatbots already exist which ask us about our symptoms in order to make a diagnosis. Data collection generates patterns that help with identifying genetic factors which are susceptible to developing a disease.